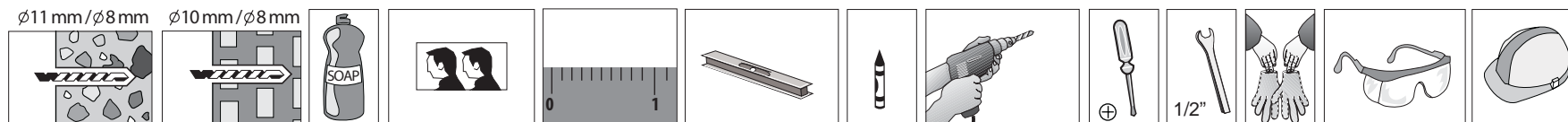
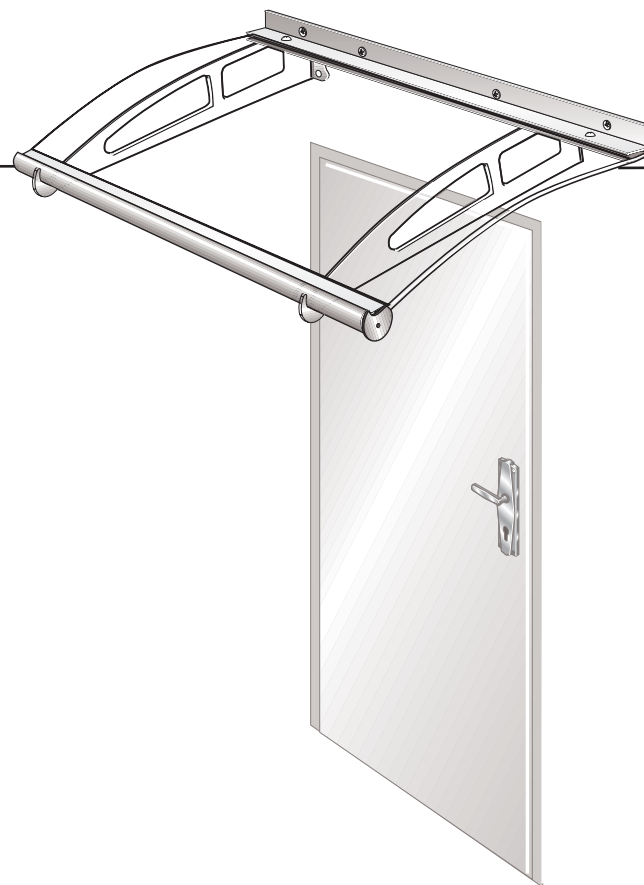


Assembly Instructions

Aquila 1500 E/F/G

150x92x16cm

59"x36¹/₄"x6¹/₄"



Contents

