

# TECHNICAL DATA SHEET

A  
WHOLE WORLD OF  
SELF-ADHESIVE  
TAPES

## PRODUCT REFERENCE 388

### SOLARITE

#### **INSTALLATION GUIDELINES**

*The number of rolls and the width of Solarite material can be calculated using the information on pages 3 , 4 and 5 of our information/specification sheets.*

*Firstly lift the Polycarbonate roofing sheets as per the manufactures instructions, remove the vent tape and ensure that the sheets are clean and any cutting waste is removed.*

*Take the leading edge of a roll of Solarite and punch a 6 mm diameter hole, 6 mm in from the end and centrally, using a single hole punch, available from most large stationary supply stores, or from us. Then chamfer the two leading corners. (see diagram i).*

*Using an appropriate length of a 6mm diameter plastic rod, available from most plastic stockist or from us. You will first need to cut a slot in one end of the rod, (see diagram ii) slide the slot in the rod over the punched hole in the Solarite Tape then carefully insert into the upper chamber of the roofing material (see diagram iii) The tape will form a 'U' shape in the chamber with the two outside edges of the tape in the two top corners of the top chamber. The curved bottom side of the tape should then sit on the bottom flat surface of the top chamber (see diagram iv) gently push the rod with tape up into the full length of the chamber, care should be taken at the top of the chamber so that the edging tape is not punctured.*

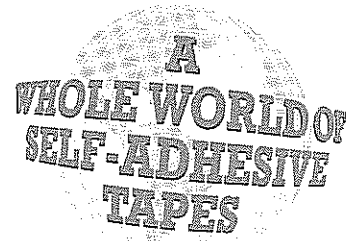
*Great care should be taken not to scratch the Solarite Tape, jagged edges of Polycarbonate should be removed prior to installation. The Solarite Tape should be installed with the closed side of the tape facing upwards. (see diagram i).*

*Solarite Tape should be installed into 2<sup>nd</sup> level chambers then the Polycarbonate sheet should be re-taped with the appropriate vent tape and then re installed as recommended by the manufacturer.*

ADHERE INDUSTRIAL TAPES LTD

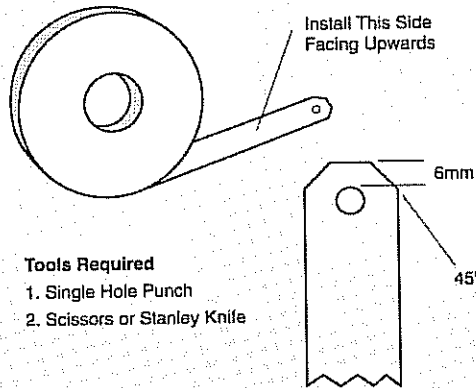


# TECHNICAL DATA SHEET



## Installation Diagrams for Solarite

Diagram I



**Tools Required**

1. Single Hole Punch
2. Scissors or Stanley Knife

Diagram II

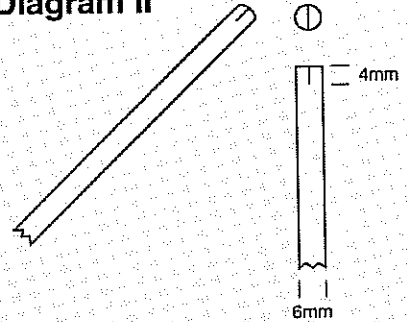


Diagram III

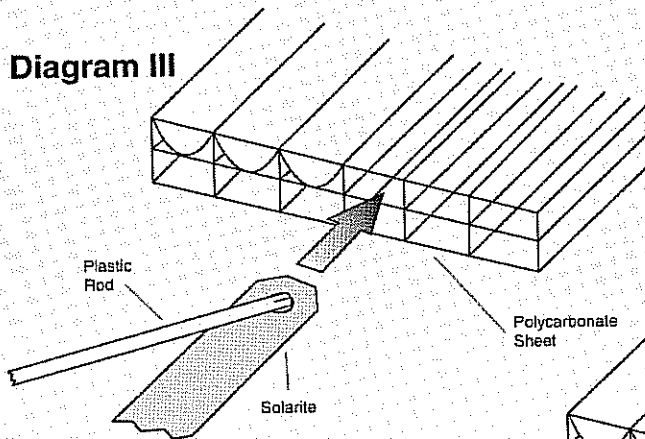
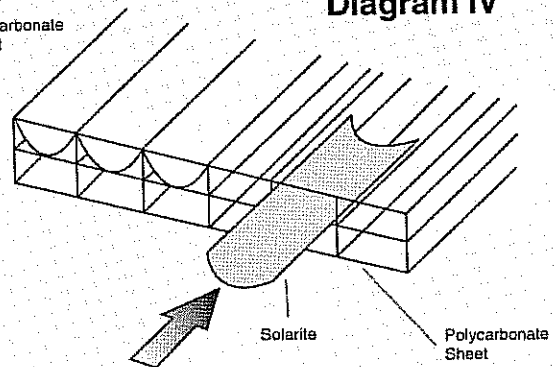


Diagram IV



ADHERE INDUSTRIAL TAPES LTD

